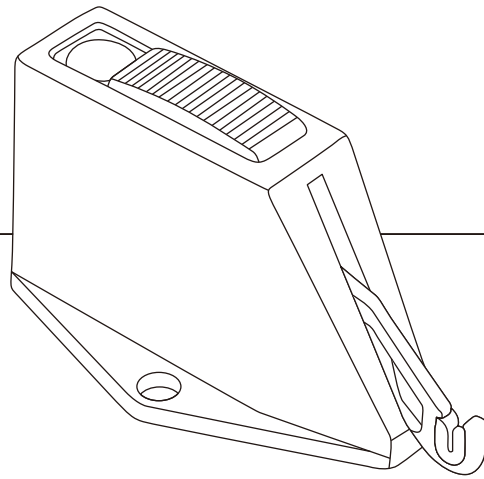


YARN / SENSOR

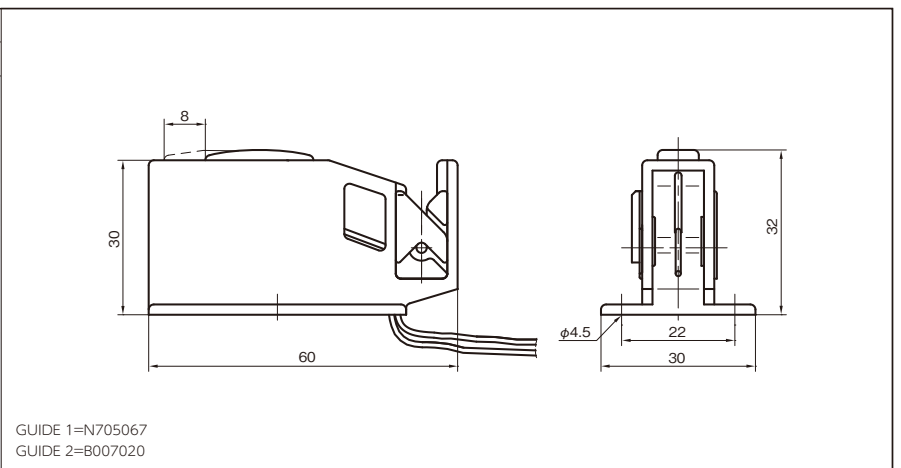
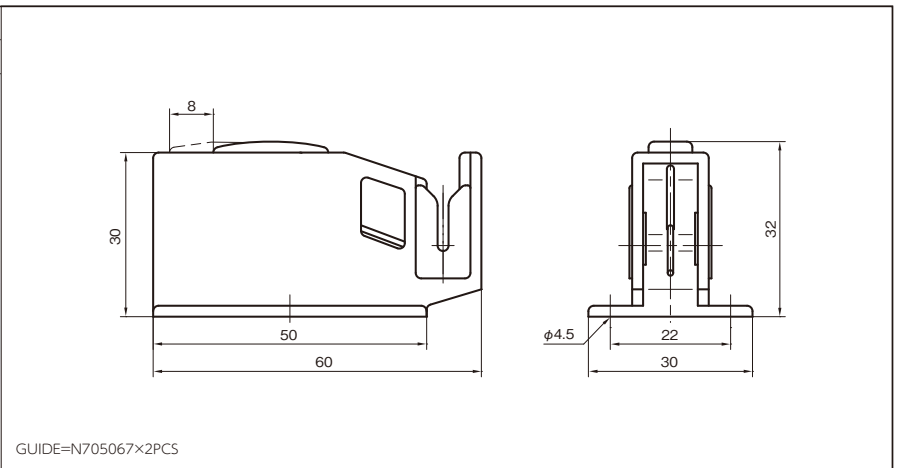
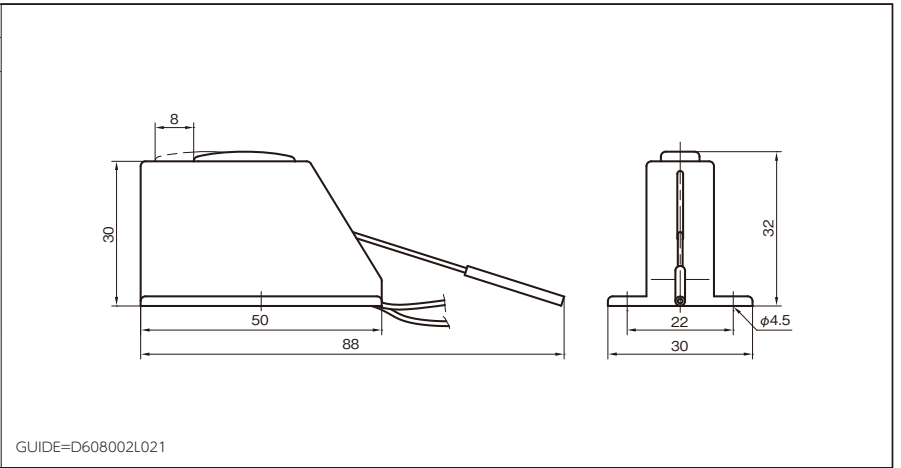
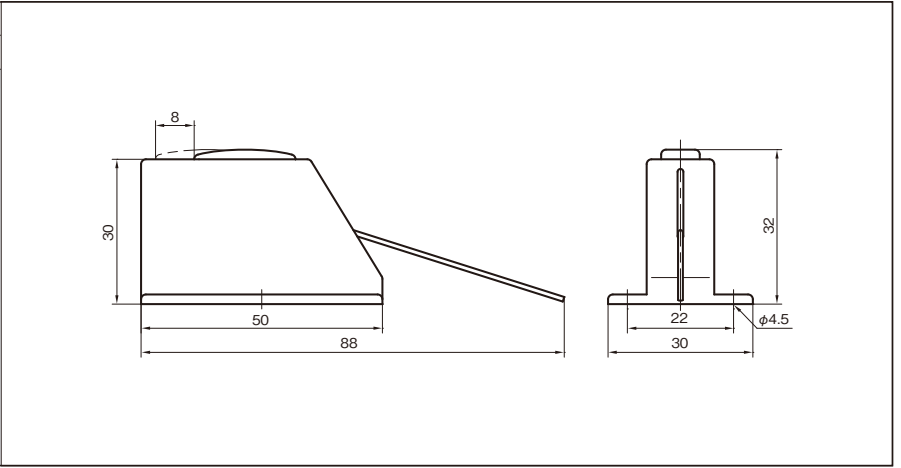
ヤーンセンサー



No./図番	C708090
weight/重量	15g

No./図番	C304050
weight/重量	15g

No./図番	C304090
weight/重量	15g

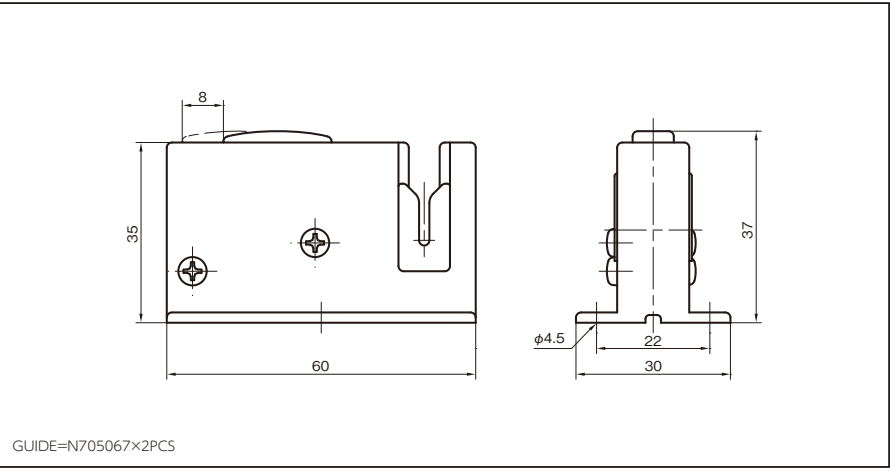


- OLING GUIDE- INTER LACER
- TRAVERSE GUIDE
- SNAIL GUIDE- DOG TAIL GUIDE
- HOOK GUIDE- SLIT GUIDE
- TWIST STOP WHEEL
- ROLLER GUIDE
- CREEL PARTS
- GUIDE etc.
- BEARING ROLLER GUIDE
- BAR GUIDE- PIPE GUIDE
- EYELET GUIDE- TUBE GUIDE
- TENSION WASHER
- BOBBIN CAP
- TENSOR
- YARN SENSOR
- OTHER

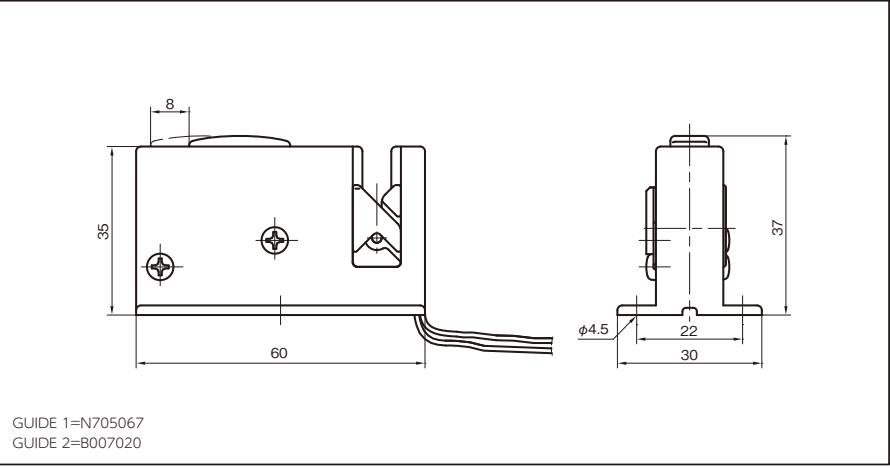
YARN SENSOR ヤーンセンサー

- WINDING GUIDE-
INNER LACER
- TRAVERSE
GUIDE
- SNAIL GUIDE-
DOG TAIL GUIDE
- HOOK GUIDE-
SLIT GUIDE
- TWIST STOP
WHEEL
- ROLLER GUIDE
- CREEL PARTS
- GUIDE etc.
- BEARING
ROLLER GUIDE
- BAR GUIDE-
PIPE GUIDE
- EYELET GUIDE-
TUBE GUIDE
- TENSION
WASHER
- BOBBIN CAP
- SENSOR
- YARN SENSOR
- OTHER

No./図番 **N705060-N**
weight/重量 **22g**



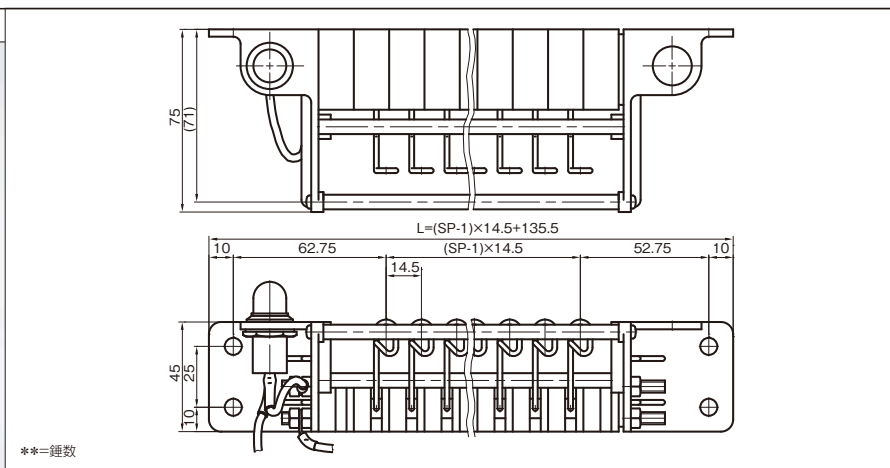
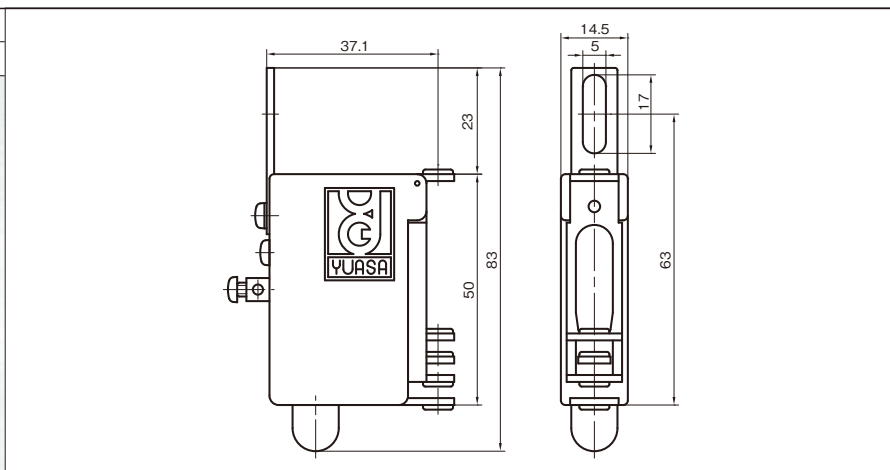
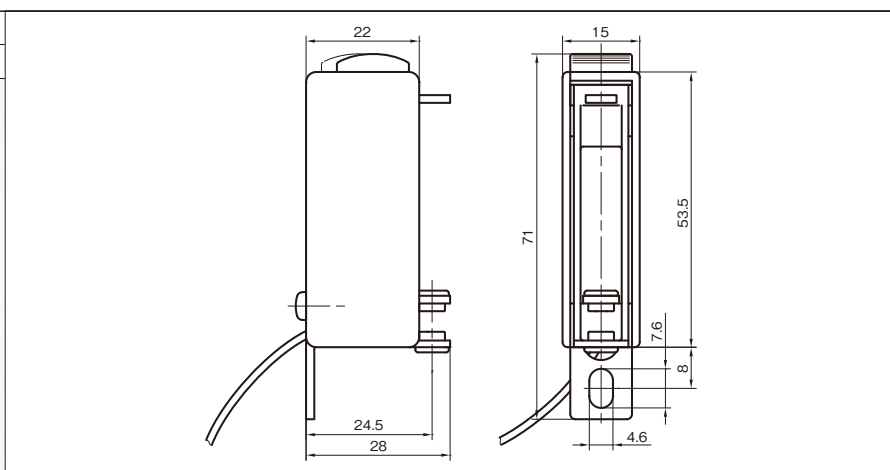
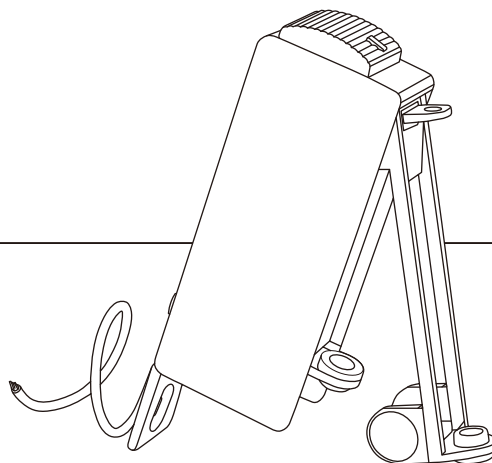
No./図番 **N705060-B**
weight/重量 **25g**



Blank area with horizontal dashed lines for notes.

STOPPER

ストッパー



**=锤数

- QUILING GUIDE - INTER LACER
- TRAVERSE GUIDE
- SNAIL GUIDE - DOG TAIL GUIDE
- HOOK GUIDE - SLIT GUIDE
- TWIST STOP WHEEL
- ROLLER GUIDE
- CREEL PARTS
- GUIDE etc.
- BEARING ROLLER GUIDE
- BAR GUIDE - PIPE GUIDE
- EYELET GUIDE - TUBE GUIDE
- TENSION WASHER
- BOBBIN CAP
- TENSOR
- YARN SENSOR
- OTHER