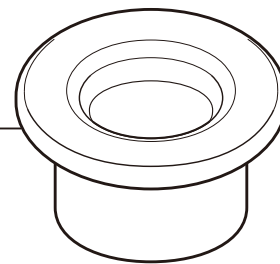

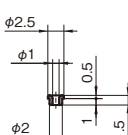

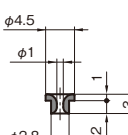



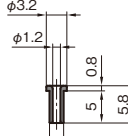
# EYELET /GUIDE


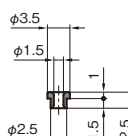



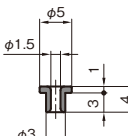
## アイレットガイド


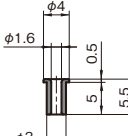
|   |              |
|---|--------------|
| No./図番  | C905001      |
|  |              |
|  |              |
| MATERIAL/材質   | YM-99C       |
| weight/重量   | 0.015g       |
| SURFACE/表面仕上げ   | NF DP HF HF2 |


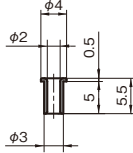
|   |              |
|---|--------------|
| No./図番  | N907016      |
|   |              |
|  |              |
| MATERIAL/材質   | YM-99C       |
| weight/重量   | 0.09g        |
| SURFACE/表面仕上げ   | NF DP HF HF2 |


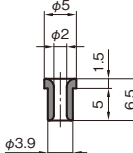
|   |              |
|---|--------------|
| No./図番  | N602030      |
|  |              |
|  |              |
| MATERIAL/材質   | YM-99C       |
| weight/重量   | 0.06g        |
| SURFACE/表面仕上げ   | NF DP HF HF2 |


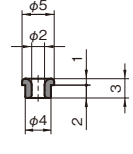
|   |              |
|---|--------------|
| No./図番  | A512015      |
|   |              |
|  |              |
| MATERIAL/材質   | YM-85C       |
| weight/重量   | 0.04g        |
| SURFACE/表面仕上げ   | NF DP HF HF2 |


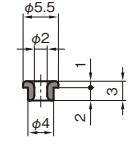
|   |              |
|---|--------------|
| No./図番  | N602014      |
|  |              |
|  |              |
| MATERIAL/材質   | YM-85C       |
| weight/重量   | 0.10g        |
| SURFACE/表面仕上げ   | NF DP HF HF2 |


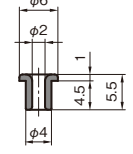
|   |              |
|---|--------------|
| No./図番  | N711016      |
|   |              |
|  |              |
| MATERIAL/材質   | YM-85C       |
| weight/重量   | 0.10g        |
| SURFACE/表面仕上げ   | NF DP HF HF2 |


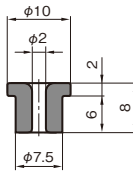
|   |                |    |    |     |
|---|----------------|----|----|-----|
| No./図番  | <b>N505025</b> |    |    |     |
|  |                |    |    |     |
|  |                |    |    |     |
| MATERIAL/材質   | YM-85C         |    |    |     |
| weight/重量   | 0.07g          |    |    |     |
| SURFACE/表面仕上げ   | NF             | DP | HF | HF2 |


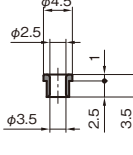
|   |                |    |    |     |
|---|----------------|----|----|-----|
| No./図番  | <b>A411045</b> |    |    |     |
|   |                |    |    |     |
|  |                |    |    |     |
| MATERIAL/材質   | YM-99C         |    |    |     |
| weight/重量   | 0.22g          |    |    |     |
| SURFACE/表面仕上げ   | NF             | DP | HF | HF2 |


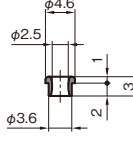
|   |                |    |    |     |
|---|----------------|----|----|-----|
| No./図番  | <b>C905002</b> |    |    |     |
|  |                |    |    |     |
|  |                |    |    |     |
| MATERIAL/材質   | YM-99C         |    |    |     |
| weight/重量   | 0.11g          |    |    |     |
| SURFACE/表面仕上げ   | NF             | DP | HF | HF2 |

|   |                |    |    |     |
|---|----------------|----|----|-----|
| No./図番  | <b>N907018</b> |    |    |     |
|   |                |    |    |     |
|  |                |    |    |     |
| MATERIAL/材質   | YM-85C         |    |    |     |
| weight/重量   | 0.12g          |    |    |     |
| SURFACE/表面仕上げ   | NF             | DP | HF | HF2 |

|   |                |    |    |     |
|---|----------------|----|----|-----|
| No./図番  | <b>N210014</b> |    |    |     |
|  |                |    |    |     |
|  |                |    |    |     |
| MATERIAL/材質   | YM-85C         |    |    |     |
| weight/重量   | 0.24g          |    |    |     |
| SURFACE/表面仕上げ   | NF             | DP | HF | HF2 |

|   |                |    |    |     |
|---|----------------|----|----|-----|
| No./図番  | <b>N907020</b> |    |    |     |
|   |                |    |    |     |
|  |                |    |    |     |
| MATERIAL/材質   | YM-85C         |    |    |     |
| weight/重量   | 1.35g          |    |    |     |
| SURFACE/表面仕上げ   | NF             | DP | HF | HF2 |


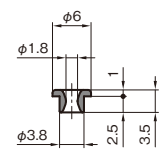
|   |                |    |    |     |
|---|----------------|----|----|-----|
| No./図番  | <b>A502083</b> |    |    |     |
|  |                |    |    |     |
|  |                |    |    |     |
| MATERIAL/材質   | YM-85C         |    |    |     |
| weight/重量   | 0.07g          |    |    |     |
| SURFACE/表面仕上げ   | NF             | DP | HF | HF2 |


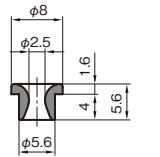
|   |                |    |    |     |
|---|----------------|----|----|-----|
| No./図番  | <b>B307027</b> |    |    |     |
|   |                |    |    |     |
|  |                |    |    |     |
| MATERIAL/材質   | YM-99C         |    |    |     |
| weight/重量   | 0.07g          |    |    |     |
| SURFACE/表面仕上げ   | NF             | DP | HF | HF2 |


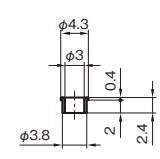
- QUILING GUIDE- INTER LACER
- TRAVERSE GUIDE
- SNAIL GUIDE- DOG TAIL GUIDE
- HOOK GUIDE- SLIT GUIDE
- TWIST STOP WHEEL
- ROLLER GUIDE
- CREEL PARTS
- GUIDE etc.
- BEARING ROLLER GUIDE
- BAR GUIDE- PIPE GUIDE
- EYELET GUIDE- TUBE GUIDE
- TENSION WASHER
- BOBBIN CAP
- TENSOR
- YARN SENSOR
- OTHER


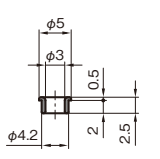
# EYELET GUIDE アイレットガイド


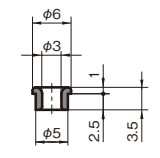
- WILING GUIDE-  
INNER LACER
- TRAVERSE  
GUIDE
- SNAIL GUIDE-  
DOG TAIL GUIDE
- HOOK GUIDE-  
SLIT GUIDE
- TWIST STOP  
WHEEL
- ROLLER GUIDE
- CREEL PARTS
- GUIDE etc.
- BEARING  
ROLLER GUIDE
- BAR GUIDE-  
PIPE GUIDE
- EYELET GUIDE-  
TUBE GUIDE
- TENSION  
WASHER
- BOBBIN CAP
- SENSOR
- YARN SENSOR
- OTHER


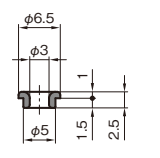
|   |                |
|---|----------------|
| No./図番  | <b>N810040</b> |
|  |                |
|  |                |
| MATERIAL/材質   | YM-99C         |
| weight/重量   | 0.13g          |
| SURFACE/表面仕上げ   | NF DP HF HF2   |


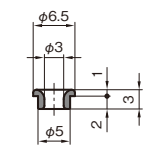
|   |                |
|---|----------------|
| No./図番  | <b>N603044</b> |
|   |                |
|  |                |
| MATERIAL/材質   | YM-99C         |
| weight/重量   | 0.48g          |
| SURFACE/表面仕上げ   | NF DP HF HF2   |


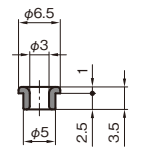
|  |                |
|--|----------------|
| No./図番   | <b>N801050</b> |
|  |                |
|   |                |
| MATERIAL/材質  | YM-99C         |
| weight/重量  | 0.05g          |
| SURFACE/表面仕上げ  | NF DP HF HF2   |


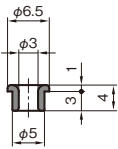
|   |                |
|---|----------------|
| No./図番  | <b>N411006</b> |
|  |                |
|  |                |
| MATERIAL/材質   | YM-85C         |
| weight/重量   | 0.06g          |
| SURFACE/表面仕上げ   | NF DP HF HF2   |


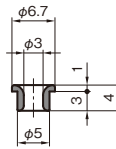
|   |                |
|---|----------------|
| No./図番  | <b>C905003</b> |
|  |                |
|  |                |
| MATERIAL/材質   | YM-99C         |
| weight/重量   | 0.155g         |
| SURFACE/表面仕上げ   | NF DP HF HF2   |


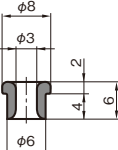
|   |                |
|---|----------------|
| No./図番  | <b>N907021</b> |
|   |                |
|  |                |
| MATERIAL/材質   | YM-85C         |
| weight/重量   | 0.14g          |
| SURFACE/表面仕上げ   | NF DP HF HF2   |


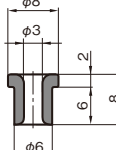
|   |                |
|---|----------------|
| No./図番  | <b>A211066</b> |
|  |                |
|  |                |
| MATERIAL/材質   | YM-85C         |
| weight/重量   | 0.15g          |
| SURFACE/表面仕上げ   | NF DP HF HF2   |


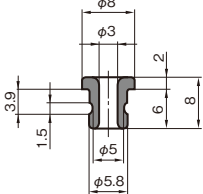
|   |                |
|---|----------------|
| No./図番  | <b>N401034</b> |
|   |                |
|  |                |
| MATERIAL/材質   | YM-85C         |
| weight/重量   | 0.16g          |
| SURFACE/表面仕上げ   | NF DP HF HF2   |


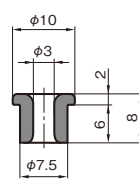
|   |                |
|---|----------------|
| No./図番  | <b>N907022</b> |
|  |                |
|  |                |
| MATERIAL/材質   | YM-85C         |
| weight/重量   | 0.20g          |
| SURFACE/表面仕上げ   | NF DP HF HF2   |


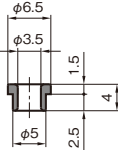
|   |                |
|---|----------------|
| No./図番  | <b>A205108</b> |
|   |                |
|  |                |
| MATERIAL/材質   | YM-99C         |
| weight/重量   | 0.19g          |
| SURFACE/表面仕上げ   | NF DP HF HF2   |


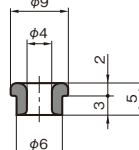
|   |                |
|---|----------------|
| No./図番  | <b>A502088</b> |
|  |                |
|  |                |
| MATERIAL/材質   | YM-85C         |
| weight/重量   | 0.56g          |
| SURFACE/表面仕上げ   | NF DP HF HF2   |

|   |                |
|---|----------------|
| No./図番  | <b>N701027</b> |
|   |                |
|  |                |
| MATERIAL/材質   | YM-85C         |
| weight/重量   | 0.72g          |
| SURFACE/表面仕上げ   | NF DP HF HF2   |

|   |                |
|---|----------------|
| No./図番  | <b>N602016</b> |
|  |                |
|  |                |
| MATERIAL/材質   | YM-85C         |
| weight/重量   | 0.72g          |
| SURFACE/表面仕上げ   | NF DP HF HF2   |

|   |                |
|---|----------------|
| No./図番  | <b>N807007</b> |
|   |                |
|  |                |
| MATERIAL/材質   | YM-85C         |
| weight/重量   | 1.25g          |
| SURFACE/表面仕上げ   | NF DP HF HF2   |

|   |                |
|---|----------------|
| No./図番  | <b>A502084</b> |
|  |                |
|  |                |
| MATERIAL/材質   | YM-85C         |
| weight/重量   | 0.04g          |
| SURFACE/表面仕上げ   | NF DP HF HF2   |

|   |                |
|---|----------------|
| No./図番  | <b>A502085</b> |
|   |                |
|  |                |
| MATERIAL/材質   | YM-85C         |
| weight/重量   | 0.52g          |
| SURFACE/表面仕上げ   | NF DP HF HF2   |

- QUILING GUIDE - INTER LACER
- TRAVERSE GUIDE
- SNAIL GUIDE - DOG TAIL GUIDE
- HOOK GUIDE - SLIT GUIDE
- TWIST STOP WHEEL
- ROLLER GUIDE
- CREEL PARTS
- GUIDE etc.
- BEARING ROLLER GUIDE
- BAR GUIDE - PIPE GUIDE
- EYELET GUIDE - TUBE GUIDE
- TENSION WASHER
- BOBBIN CAP
- TENSOR
- YARN SENSOR
- OTHER

# EYELET GUIDE アイレットガイド

OILING GUIDE-  
 INHER LACER  
 TRAVERSE  
 GUIDE  
 SNAIL GUIDE-  
 DOG TAIL GUIDE  
 HOOK GUIDE-  
 SLIT GUIDE  
 TWIST STOP  
 WHEEL  
 ROLLER GUIDE  
 GREEL PARTS  
 GUIDE etc.  
 BEARING  
 ROLLER GUIDE  
 BAR GUIDE-  
 PIPE GUIDE  
 EYELET GUIDE-  
 TUBE GUIDE  
 TENSION  
 WASHER  
 BOBBIN CAP  
 TENSOR  
 YARN SENSOR  
 OTHER

**No./図番** N907024

**MATERIAL/材質** YM-85C  
**weight/重量** 1.10g  
**SURFACE/表面仕上げ** NF DP HF HF2

**No./図番** C905004

**MATERIAL/材質** YM-99C  
**weight/重量** 0.26g  
**SURFACE/表面仕上げ** NF DP HF HF2

**No./図番** N701030

**MATERIAL/材質** YM-85C  
**weight/重量** 0.20g  
**SURFACE/表面仕上げ** NF DP HF HF2

**No./図番** N902043

**MATERIAL/材質** YM-99C  
**weight/重量** 0.50g  
**SURFACE/表面仕上げ** NF DP HF HF2

**No./図番** N709037

**MATERIAL/材質** YM-85C  
**weight/重量** 0.32g  
**SURFACE/表面仕上げ** NF DP HF HF2

**No./図番** A205053


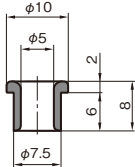
**MATERIAL/材質** YM-99C  
**weight/重量** 0.93g  
**SURFACE/表面仕上げ** NF DP HF HF2


**No./図番** N907025


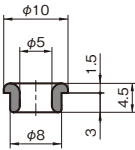
**MATERIAL/材質** YM-85C  
**weight/重量** 0.64g  
**SURFACE/表面仕上げ** NF DP HF HF2


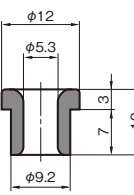
**No./図番** A701051


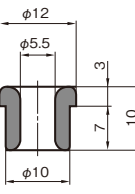
**MATERIAL/材質** YM-99C  
**weight/重量** 1.50g  
**SURFACE/表面仕上げ** NF DP HF HF2


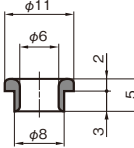
|   |                |
|---|----------------|
| No./図番  | <b>N907050</b> |
|  |                |
|  |                |
| MATERIAL/材質   | YM-85C         |
| weight/重量   | 0.84g          |
| SURFACE/表面仕上げ   | NF DP HF HF2   |


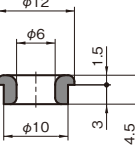
|   |                |
|---|----------------|
| No./図番  | <b>A411029</b> |
|   |                |
|  |                |
| MATERIAL/材質   | YM-85C         |
| weight/重量   | 1.80g          |
| SURFACE/表面仕上げ   | NF DP HF HF2   |


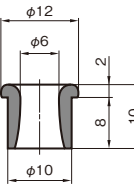
|   |                |
|---|----------------|
| No./図番  | <b>C905005</b> |
|  |                |
|  |                |
| MATERIAL/材質   | YM-99C         |
| weight/重量   | 0.61g          |
| SURFACE/表面仕上げ   | NF DP HF HF2   |

|  |                |
|--|----------------|
| No./図番   | <b>N701043</b> |
|    |                |
|  |                |
| MATERIAL/材質  | YM-85C         |
| weight/重量  | 2.00g          |
| SURFACE/表面仕上げ  | NF DP HF HF2   |

|   |                |
|---|----------------|
| No./図番  | <b>A511010</b> |
|  |                |
|  |                |
| MATERIAL/材質   | YM-85C         |
| weight/重量   | 2.20g          |
| SURFACE/表面仕上げ   | NF DP HF HF2   |

|   |                |
|---|----------------|
| No./図番  | <b>A502087</b> |
|   |                |
|  |                |
| MATERIAL/材質   | YM-85C         |
| weight/重量   | 0.72g          |
| SURFACE/表面仕上げ   | NF DP HF HF2   |

|   |                |
|---|----------------|
| No./図番  | <b>C905006</b> |
|  |                |
|  |                |
| MATERIAL/材質   | YM-99C         |
| weight/重量   | 0.90g          |
| SURFACE/表面仕上げ   | NF DP HF HF2   |


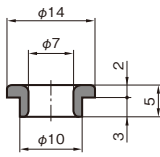
|   |                |
|---|----------------|
| No./図番  | <b>B506010</b> |
|   |                |
|  |                |
| MATERIAL/材質   | YM-99C         |
| weight/重量   | 1.80g          |
| SURFACE/表面仕上げ   | NF DP HF HF2   |

- QUILING GUIDE - INTER LACER
- TRAVERSE GUIDE
- SNAIL GUIDE - DOG TAIL GUIDE
- HOOK GUIDE - SLIT GUIDE
- TWIST STOP WHEEL
- ROLLER GUIDE
- CREEL PARTS
- GUIDE etc.
- BEARING ROLLER GUIDE
- BAR GUIDE - PIPE GUIDE
- EYELET GUIDE - TUBE GUIDE
- TENSION WASHER
- BOBBIN CAP
- TENSOR
- YARN SENSOR
- OTHER

# EYELET GUIDE アイレットガイド


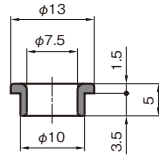
OILING GUIDE-  
 INNER LACER  
 TRAVERSE  
 GUIDE  
 SMALL GUIDE-  
 DOG TAIL GUIDE  
 HOOK GUIDE-  
 SLIT GUIDE  
 TWIST STOP  
 WHEEL  
 ROLLER GUIDE  
 GREEL PARTS  
 GUIDE etc.  
 BEARING  
 GUIDE  
 BAR GUIDE-  
 PIPE GUIDE  
 EYELET GUIDE-  
 TUBE GUIDE  
 TENSION  
 WASHER  
 BOBBIN CAP  
 TENSOR  
 YARN SENSOR  
 OTHER

**No./図番** N701047


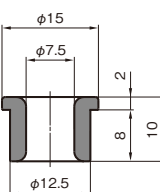
**MATERIAL/材質** YM-85C  
**weight/重量** 1.20g  
**SURFACE/表面仕上げ** NF DP HF HF2

**No./図番** A502070


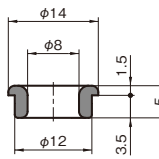
**MATERIAL/材質** YM-85C  
**weight/重量** 0.80g  
**SURFACE/表面仕上げ** NF DP HF HF2

**No./図番** N701054


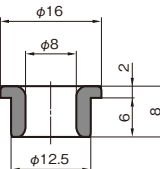
**MATERIAL/材質** YM-85C  
**weight/重量** 3.00g  
**SURFACE/表面仕上げ** NF DP HF HF2

**No./図番** C905008


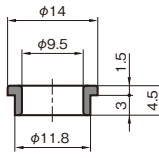
**MATERIAL/材質** YM-99C  
**weight/重量** 1.20g  
**SURFACE/表面仕上げ** NF DP HF HF2

**No./図番** A502089


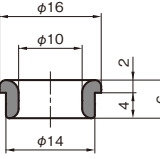
**MATERIAL/材質** YM-85C  
**weight/重量** 2.60g  
**SURFACE/表面仕上げ** NF DP HF HF2

**No./図番** A202044


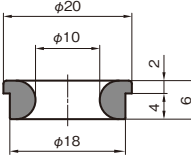
**MATERIAL/材質** YM-85C  
**weight/重量** 0.86g  
**SURFACE/表面仕上げ** NF DP HF HF2

**No./図番** C905010


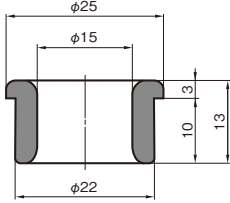
**MATERIAL/材質** YM-99C  
**weight/重量** 1.90g  
**SURFACE/表面仕上げ** NF DP HF HF2

**No./図番** A403062


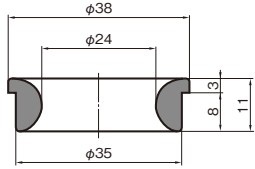
**MATERIAL/材質** YM-85C  
**weight/重量** 3.60g  
**SURFACE/表面仕上げ** NF DP HF HF2

**No./図番** N507014


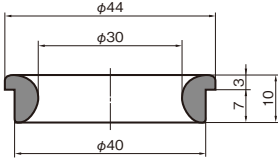
|               |              |
|---------------|--------------|
| MATERIAL/材質   | YM-85C       |
| weight/重量     | 9.80g        |
| SURFACE/表面仕上げ | NF DP HF HF2 |

**No./図番** A107048

|               |              |
|---------------|--------------|
| MATERIAL/材質   | YM-85C       |
| weight/重量     | 18.0g        |
| SURFACE/表面仕上げ | NF DP HF HF2 |

**No./図番** N708035

|               |              |
|---------------|--------------|
| MATERIAL/材質   | YM-85C       |
| weight/重量     | 19.0g        |
| SURFACE/表面仕上げ | NF DP HF HF2 |

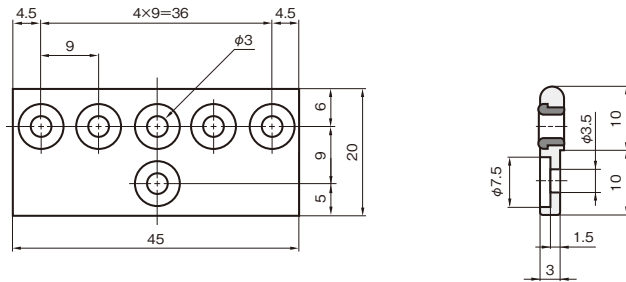


**No./図番** A401020



|               |              |
|---------------|--------------|
| MATERIAL/材質   | YM-85C・ABS   |
| weight/重量     | 3.60g        |
| SURFACE/表面仕上げ | NF DP HF HF2 |

5-EYELET GUIDE  
5-アイレットガイド

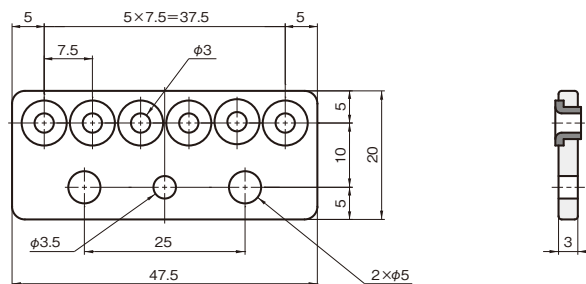


**No./図番** A411007



|               |              |
|---------------|--------------|
| MATERIAL/材質   | YM-85C・ABS   |
| weight/重量     | 3.60g        |
| SURFACE/表面仕上げ | NF DP HF HF2 |

6-EYELET GUIDE  
6-アイレットガイド



OILING GUIDE  
 INTER LACER  
 TRAVERSE GUIDE  
 SNAI GUIDE  
 DOG TAIL GUIDE  
 HOOK GUIDE  
 SLIT GUIDE  
 TWIST STOP WHEEL  
 ROLLER GUIDE  
 CREEL PARTS  
 GUIDE etc.  
 BEARING ROLLER GUIDE  
 BAR GUIDE  
 PIPE GUIDE  
 EYELET GUIDE  
 TUBE GUIDE  
 TENSION WASHER  
 BOBBIN CAP  
 TENSOR  
 YARN SENSOR  
 OTHER

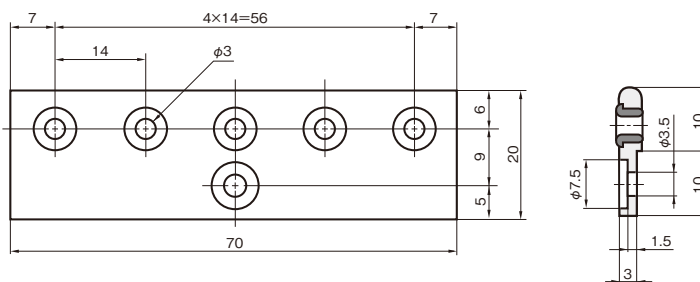


# EYELET GUIDE アイレットガイド

No./図番 **A405038**



5-EYELET GUIDE  
5-アイレットガイド

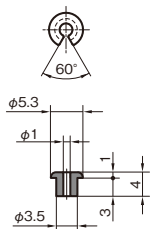
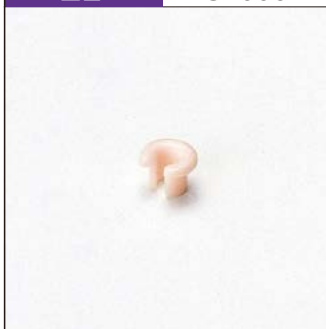


MATERIAL/材質 **YM-85C-ABS**

weight/重量 **5.00g**

SURFACE/表面仕上げ NF DP HF HF2

No./図番 **A310084**

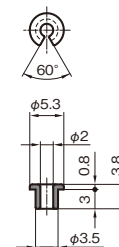


MATERIAL/材質 **YM-99C**

weight/重量 **0.13g**

SURFACE/表面仕上げ NF DP HF HF2

No./図番 **N701127**

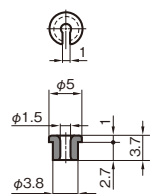


MATERIAL/材質 **YM-99C**

weight/重量 **0.10g**

SURFACE/表面仕上げ NF DP HF HF2

No./図番 **A011051**

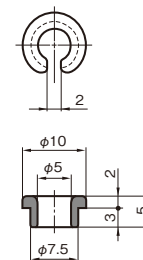


MATERIAL/材質 **YM-99C**

weight/重量 **0.13g**

SURFACE/表面仕上げ NF DP HF HF2

No./図番 **A011057**



MATERIAL/材質 **YM-85C**

weight/重量 **0.52g**

SURFACE/表面仕上げ NF DP HF HF2

-----

-----

-----

-----

-----

-----

-----

-----

-----

-----